

ALUMAX UK

ALUMINIUM CANTILEVER GATES

Tel: 07745982048
Email: info@alumaxuk.co.uk

Why Choose ALUMAX UK Aluminium Cantilever Sliding Gates?

✓ **No track required –** A smooth, cantilevered design for easy installation.

✓ **Premium Automation –** Featuring the Roger Technology drive unit, discreetly hidden within the post. One of the best systems on the market.

✓ **Fully Tested & Ready –** Supplied as a complete kit, pre-tested, and ready to be bolted down and commissioned.

✓ **Effortless Installation –** Designed for quick and simple setup.

Explore ALUMAX UK Aluminium Cantilever Gate Styles

We will be introducing three unique cantilever sliding gate styles, each crafted with durability and contemporary aesthetics in mind.

- ◆ Available in Jet Black and Anthracite Grey frame finishes.
- ◆ Infill options: Jet Black, Anthracite Grey, or Wood Effect for a customised look.
- ◆ Standard sizes available, with custom width and height modifications upon request.
- ◆ Maximum width: 5000mm, Maximum height: 2000mm.

ALUMAX UK

Standard Sizes
Available

Opening widths available:

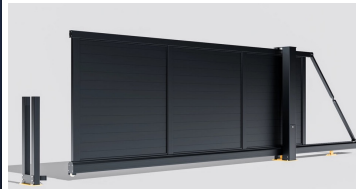
3000mm, 3250mm, 3750mm,
4000mm, 4250mm, 4750mm &
5000mm

Heights available:

1600mm, 1800mm & 2000mm

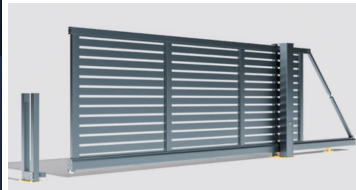
ALUMAX UK

Cantilever Gate Styles



Available in manual opening or with Roger Technology Automation built into the post for discreet operation.

Styles



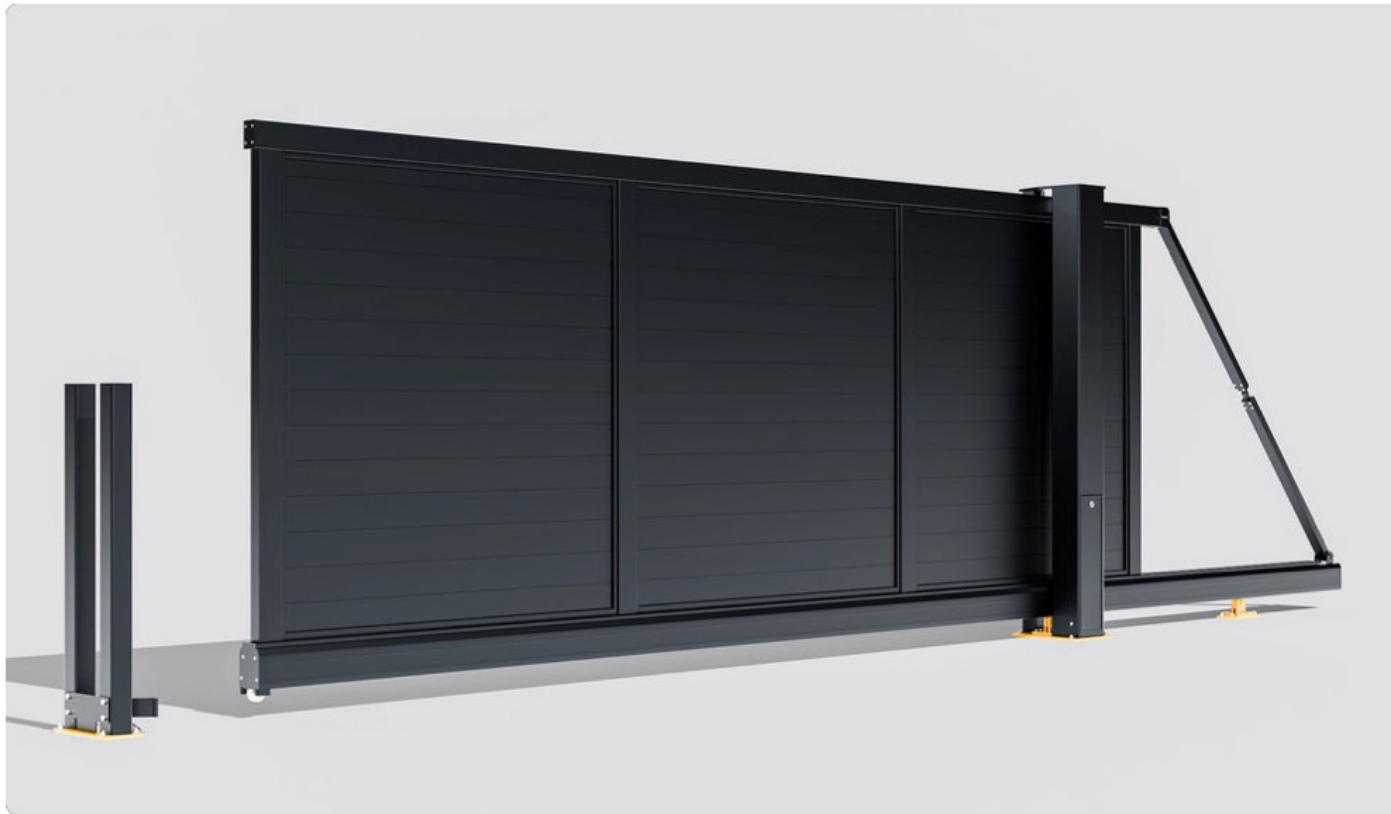
GALLOWAY (Horizontal semi boarded with gaps)



RANNOCH (Horizontal Semi boarded upper and fully boarded lower)

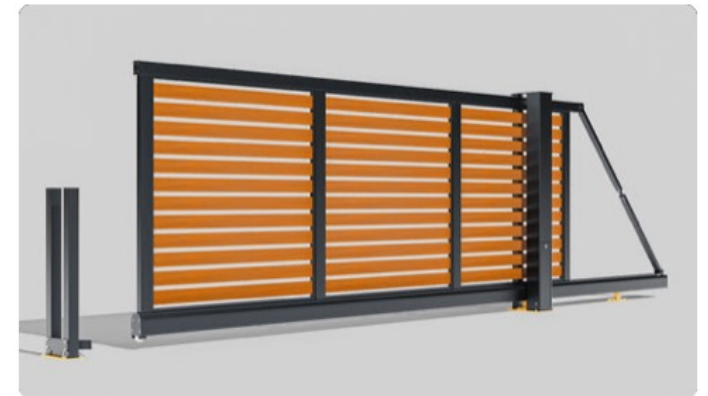
KATRINE
(Horizontal fully boarded)

ALUMAX UK
Tel: 07745982048
Email: info@alumaxuk.co.uk



GALLOWAY
(Horizontal Semi boarded with gaps)

ALUMAX UK
Tel: 07745982048
Email: info@alumaxuk.co.uk



RANNOCH

(Horizontal Semi boarded upper and fully boarded lower)

ALUMAX UK

Tel: 07745982048

Email: info@alumaxuk.co.uk



ALUMAX UK

ALUMAX UK

Tel: 07745982048

Email: info@alumaxuk.co.uk

Technical size information upon request:

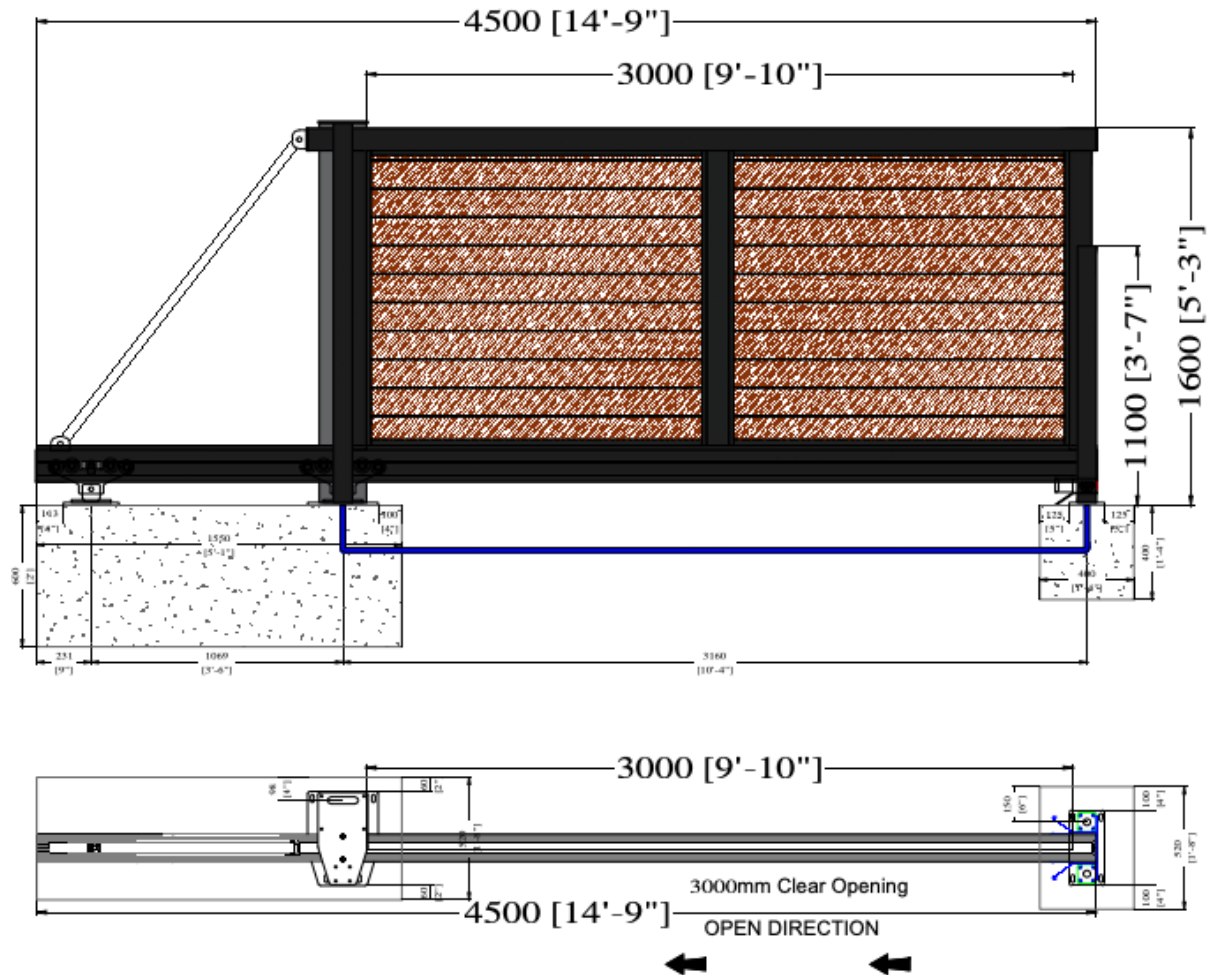
State the size you wish to order:

Opening & height in mm

And we will send you the technical information by email to match the gate required.

Opening widths available: 3000mm, 3250mm, 3750mm, 4000mm, 4250mm, 4750mm & 5000mm

Heights available: 1600mm, 1800mm & 2000mm



Cantilever gates are available as manual operation or automated with ROGER TW90 kit

ROGER Technology Automation option
Fitted inside the post to have a discreet and hidden automation



ALUMAX UK
Tel: 07745982048
Email: info@alumaxuk.co.uk